

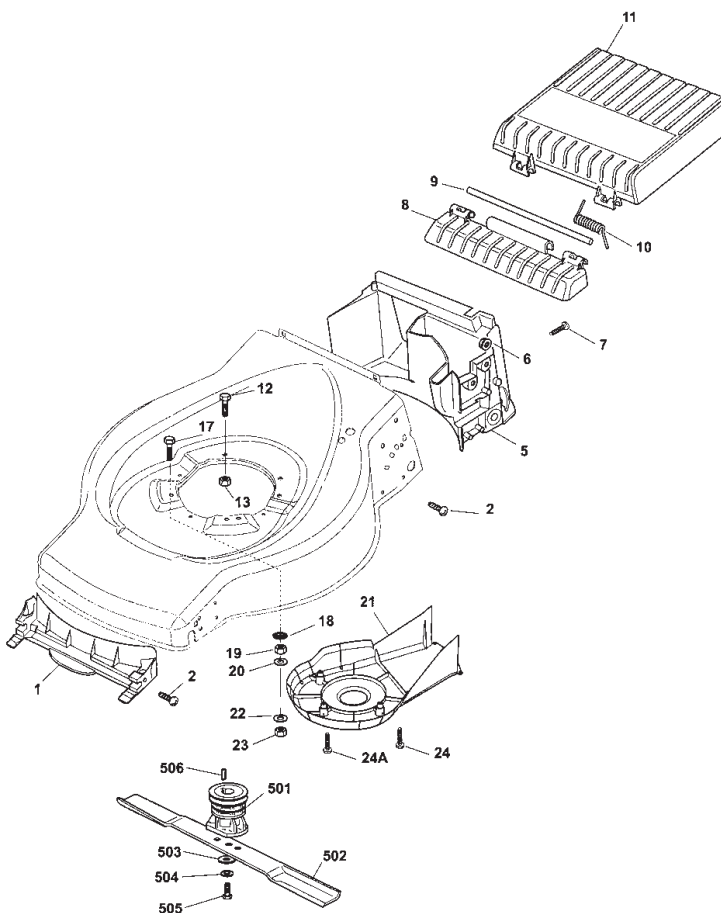
On self-propelled lawnmowers it is possible for the drive belt to slip of its drive pulleys resulting in a loss of drive. The engine will still start as normal and the blades rotate however, the mower fails to propel itself along the ground when the drive is engaged.

The replacing or refitting of a drive belt is not covered by warranty however, refitting the belt is a simple process as outlined below.

These instructions are specific to the following model -

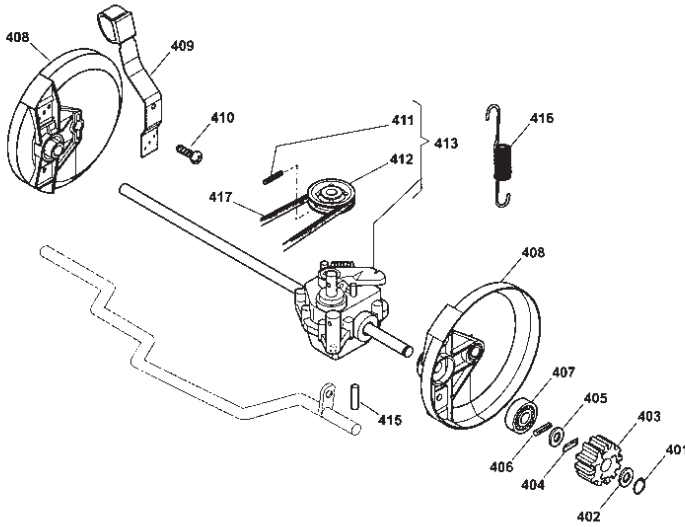
SP534ES

Instructions for refitting the drive belt are as follows -



- Remove the grassbox
- Remove the spark plug cap (for safety reasons)
- Without tipping the mower forwards or sideways, lift the mower up onto a workbench on all 4 wheels, and position the backwheels close to the edge of the workbench
- Raise the stone guard (*part 11*), and tip the mower BACKWARDS so that the handle hangs over the edge of the bench – the mower will stand upright like this
- Mark the blade so that after removing it you can replace it the correct way up. Unscrew the blade (normal thread, turn the spanner anti-clockwise to unfasten)
- Remove the belt guard plate – this is the large plate through which the blade shaft protrudes (*part 21*), it is between the blade and the deck of the mower and held on by 4 screws

- Inspect the belt for signs of damage and replace if required. Replacement belts can be obtained via your local dealer which can be found via the ServiceLink website (www.servicelink.org.uk)
- Position the belt around the pulley on the blade shaft (*part 501*)



- On the back axle there is a black box (the transmission unit) and on the uppermost face of this is a pulley (*part 412*)
- Wind the belt onto this pulley as if winding a chain onto a bicycle wheel (it may appear that this pulley is at an angle, but the tension of the belt will straighten this)
- Refit the belt guard plate and fasten in place with the four screws
- Re-attach the blade the correct way up

- Refit the spark plug cap on the spark plug
- Carefully lift the mower down onto the ground without tipping it forwards or sideways
- Drive should now be restored to your lawnmower

Please note that replacement parts for your lawnmower can be purchased from your local dealer who is also able to undertake repairs if required.

Your local dealer can be found via the ServiceLink website - www.servicelink.org.uk